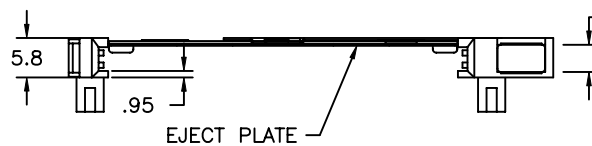
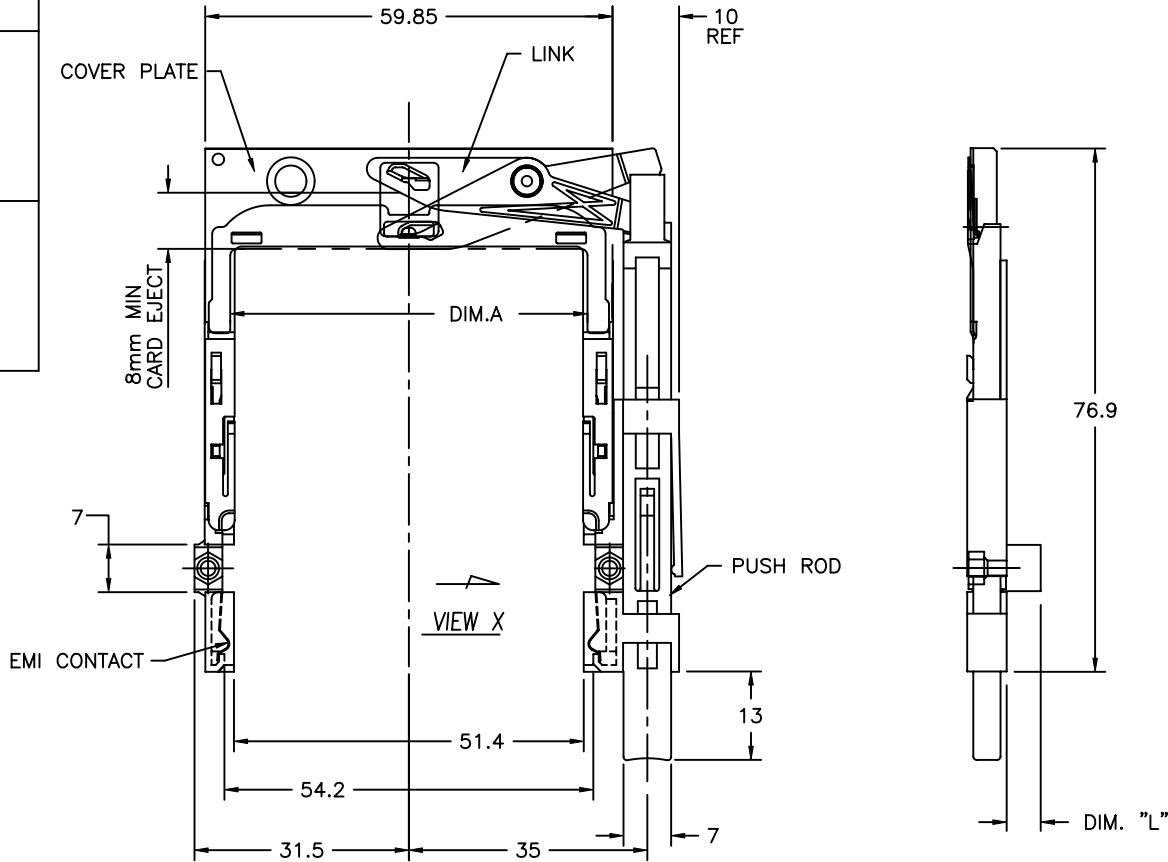


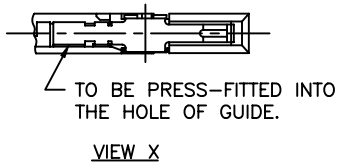
Tous droits strictement réservés. Reproduction ou communication à des tiers interdite sous quelque forme que ce soit sans autorisation écrite du propriétaire. Propriété de c. FCI. Droits de reproduction FCI.

All rights strictly reserved. Reproduction or issue to third parties in any form whatever is not permitted without written authority from the proprietor. Property of FCI. Copyright FCI.

PRODUCT NUMBER	STAND-OFF DIM. "L"	CARD EJECT DIM.A
94613-00CA	0	52.5
94613-02CA	2	
94613-022CA	2.2	
94613-04CA	4	
94613-043CA	4.3	
94613-05CA	5	50.0
94613-00CA-V	0	
94613-02CA-V	2	
94613-022CA-V	2.2	
94613-04CA-V	4	
94613-043CA-V	4.3	
94613-05CA-V	5	



- 4.0 NOTES:
- 1 EJECT PLATE MOVE ALONG INSIDE WALL OF COVER PLATE SMOOTHLY AFTER ASSEMBLING WITH HEADER ASSY.
  - 2 MATERIAL:  
PLASTIC: GUIDE: POLYPHTHARAMIDE UL94V-0 BLACK  
PLATE: STAINLESS  
EMI CONTACT: PHOSPHOR BRONZE
  - 3 SEE TA-946 FOR RECOMMENDED PCB LAYOUT.

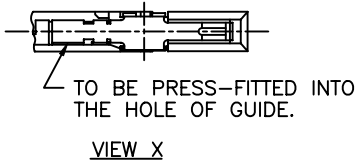
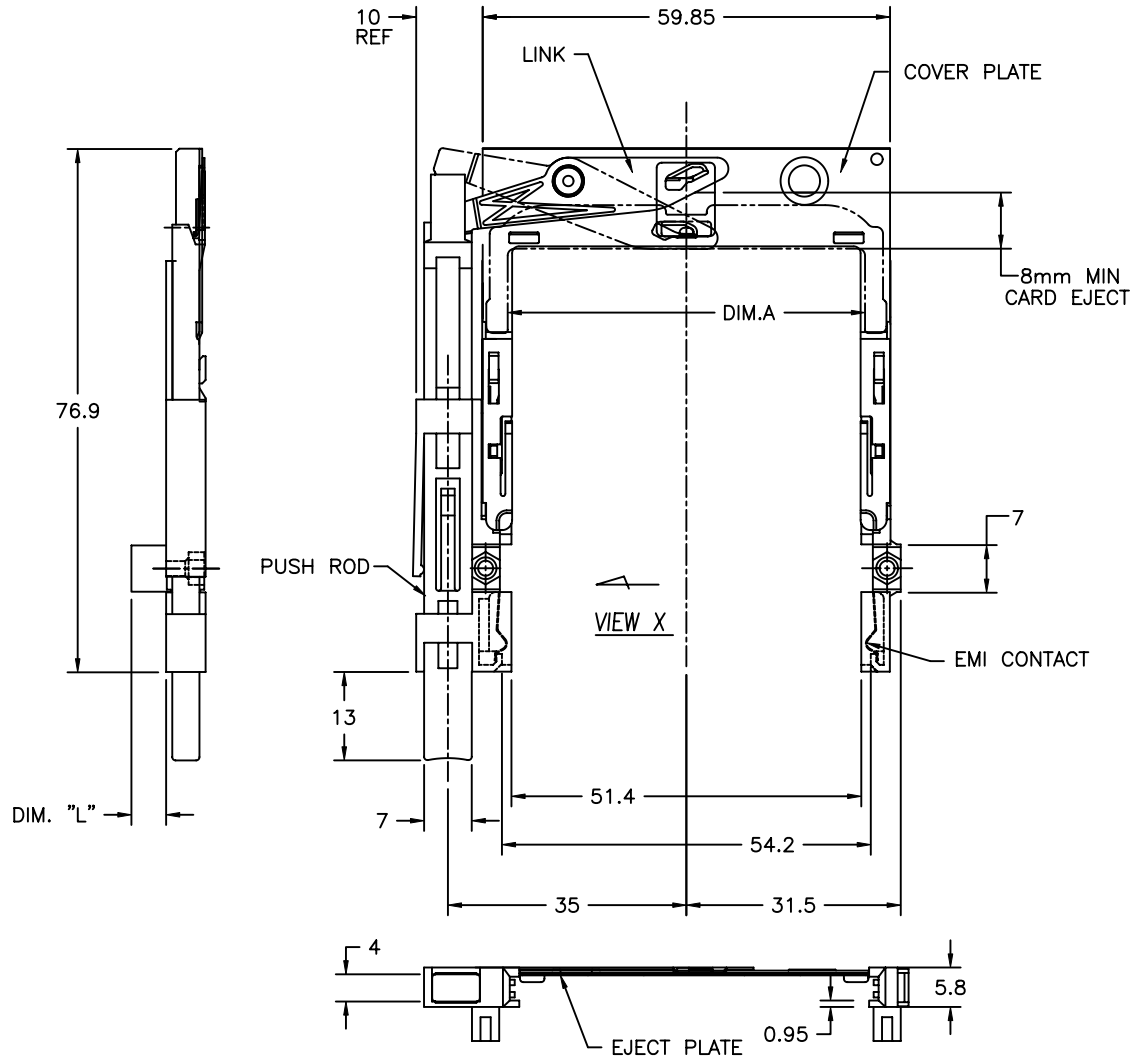


mat'l. code				tolerances unless otherwise specified				CUSTOMER COPY		FCI Electronics www.fciconnect.com	
ltr	ecn no	dr	date	linear		.XX ±.3		projection		title	
A	V40812	RDS	4/29/94	linear		.XXX ±0.13		MM		68P EXT. EJECTOR HEADER TYPE 123 MECHANISM ASS'Y.	
B	V40988	RDS	6/13/94	linear		.XXXX ±0.051		MM		product family MCS code -	
C	V41214	SSD	8/11/94	angles		0° ±2°		scale		size dwg no	
D	V41259	RDS	12/9/94	dr	D.SHEAFFER	4/15/94	2:1		A		94613
E	V00479	RGD	2/21/00	enr	D.BRANN	4/15/94					sheet 1 of 2
F	V03-0518	WL	05/29/03	chr	D.BRANN	4/15/94					
G	T04-0169	WL	04/19/04	appd	D.BRANN	4/15/94					
sheet index	revision sheet	G	G	1	2						

Tous droits strictement réservés. Reproduction ou communication a des tiers interdite sous quelque forme que ce soit sans autorisation écrite du propriétaire. Propriété de c FCI. Droits de reproduction FCI.

All rights strictly reserved. Reproduction or issue to third parties in any form whatever is not permitted without written authority from the proprietor. Property of FCI. Copyright FCI.

PRODUCT NUMBER	STAND-OFF DIM. "L"	CARD EJECT DIM.A
94613-10CA	0	52.5
94613-12CA	2	
94613-122CA	2.2	
94613-14CA	4	
94613-143CA	4.3	
94613-15CA	5	50.0
94613-10CA-V	0	
94613-12CA-V	2	
94613-122CA-V	2.2	
94613-14CA-V	4	
94613-143CA-V	4.3	
94613-15CA-V	5	



NOTES:

- EJECT PLATE MOVE ALONG INSIDE WALL OF COVER PLATE SMOOTHLY AFTER ASSEMBLING WITH HEADER ASSY.
- MATERIAL:  
PLASTIC: GUIDE: POLYPHTHARAMIDE UL94V-0 BLACK  
PLATE: STAINLESS  
EMI CONTACT: PHOSPHOR BRONZE
- SEE TA-946 FOR RECOMMENDED PCB LAYOUT.

mat'l. code		tolerances unless otherwise specified		CUSTOMER COPY		 Electronics FCI <a href="http://www.fciconnect.com">www.fciconnect.com</a>					
ltr	ecn no	dr	date	linear	.XX ±.3	projection	title				
G					.XXX ±0.13				68P EXT. EJECTOR HEADER TYPE 123 MECHANISM ASS'Y.		
				angles	.XXX ±0.051	product family size dwg no	code				
				dr	0° ±2°			product family size dwg no	code		
				enr	D.SHEAFFER 4/15/94	product family size dwg no	code				
				chr	D.BRANN 4/15/94			product family size dwg no	code		
				appd	D.BRANN 4/15/94	product family size dwg no	code				
sheet index	revision sheet							scale	2:1	product family	MCS
								size dwg no	A	94613	sheet 2 of